

CADDY-VAC



mr. steam



WINDSOR
INDUSTRIES, INC.
Englewood, CO 80110

INSTRUCTION MANUAL AND PARTS LIST

INSPECTION

Carefully unpack and inspect your CADDY-VAC for shipping damage. Each unit is tested and thoroughly inspected before shipment, and any damage is the responsibility of the delivering carrier who should be notified immediately.

ELECTRICAL

The CADDY-VAC Back Pack Vacuum is designed to operate on a standard 15 amp, 115 volt, 60 hz, AC circuit*. Voltages below 105 volt AC or above 125 volts AC could cause serious damage to the vacuum motor.

*220/240 volt, 50 hz model is available.

WARNING: To reduce the risk of electrical shock do not expose to rain. Store machine indoors.

Electric motors can cause an explosion when operated near explosive materials or vapors. Do not operate this machine near flammable materials such as solvents, thinners, fuels, grain, dust, etc.

GROUNDING INSTRUCTIONS

To protect the operator from electrical shock this machine must be grounded while in use. The CADDY-VAC is equipped with an approved three-conductor power cord and grounding type plug to fit the proper grounding type receptacle.

EXTENSION CORDS

If an extension cord is used, the wire size must be at least one size larger than the power cord on the machine and must be limited to 75 feet in length. Extension cord must be three-wire grounded.

OPERATION

1. Install a cloth or paper filter/dust collector bag. Slide mounting ring of dust bag over the neck of the hose intake adapter located inside of the tank.
2. Make sure the foam filter is clean and in place over the fan end of the vac motor.
3. Insert the metal clip on bottom of cover into the metal retainer slot on vac housing and close cover. Secure cover to vac housing with clamp (at top of housing).
4. Slide hose adapter into the intake opening and secure with nut and gasket. Attach the hose to hose adapter.
5. Attach the snap hooks of both carrying straps (padded end) to the clips at the top of the vac housing. Attach the snap hooks at the other end of each strap to the clips located on each side of the bottom of the vac housing. Set the CADDY-VAC on the edge of a desk or bench. Slide one arm through each strap and lift the machine on to back. Adjust the strap length to the most comfortable position. **NOTE:** A waist strap is included to be used along with the shoulder straps (Part #83-004.)
6. Attach appropriate cleaning tool to end of hose.
7. Plug the power cord into a properly grounded outlet. (See grounding instructions). The on/off switch is located at the bottom of the machine.

MACHINE MAINTENANCE

Before making any repairs or adjustments on machine, disconnect machine power cord from electrical source.

Replace the paper filter/dust collector bag when approximately two-thirds full. If a cloth bag is used, empty when two-thirds full into covered trash container. Turn bag inside out, brush clean, and reinstall inside machine. **NOTE:** The cloth filter bag can be laundered several times without losing any filtering capabilities.

Check foam filter located on fan end of vacuum motor. If dirty, wash it in a detergent and hot water solution, rinse clean and dry **thoroughly**. Reinstall filter on vac motor. If the foam filter material is damaged, replace filter.

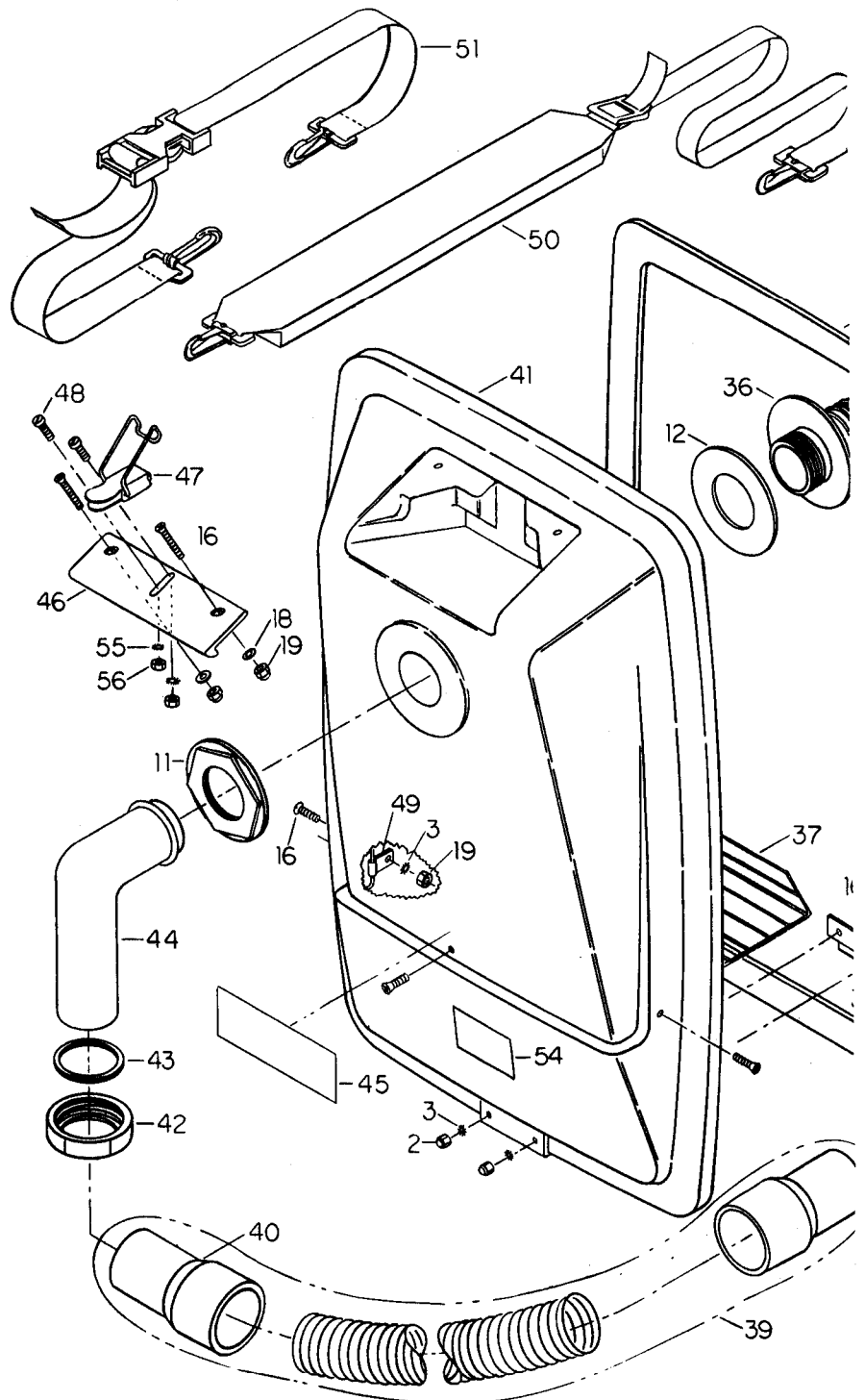
The vacuum motor brushes require inspection after 650 hours of use. To remove vac motor for inspection:

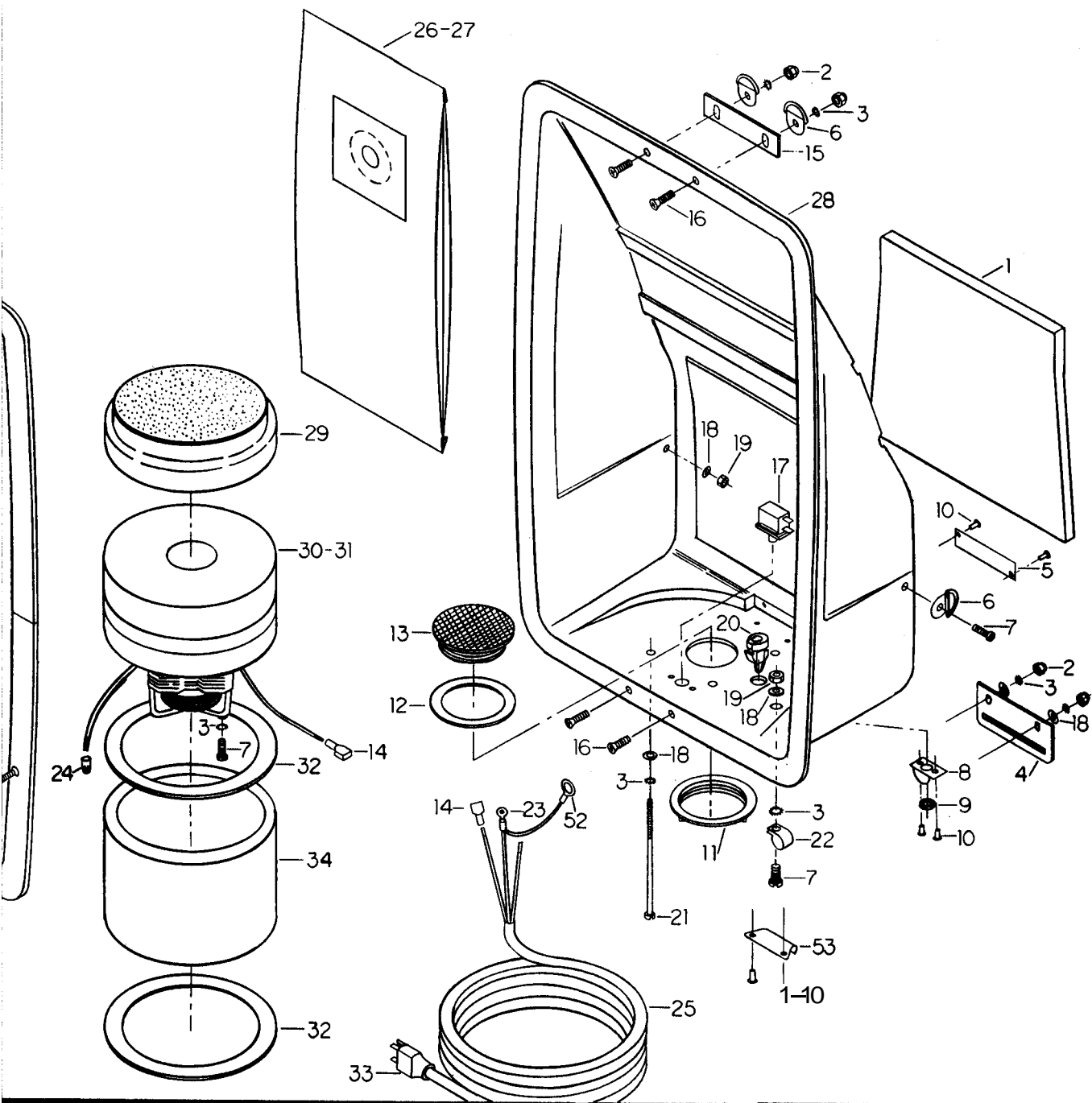
1. Remove 4 screws (Key #21 on parts drawing) holding vac motor to housing.
2. Remove brush hold-down clamps. New brush length is approximately 1". Brushes should be replaced (in sets) when they reach 3/8" length.
3. Inspect vacuum motor intake opening. If fans are clogged with lint and dirt, the fan section should be removed and cleaned, or fans replaced. **NOTE:** Vacuum motors can usually be repaired. However, such repairs should be done by a qualified vacuum repair or electric motor service shop.

Periodic check of hoses, electrical cables, gaskets, etc., will insure trouble-free performance from your CADDY-VAC.

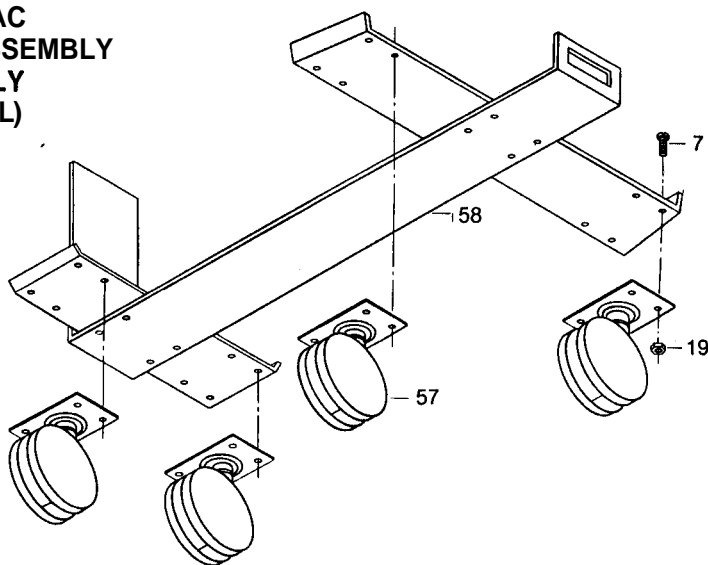
CADDY-VAC PARTS LIST

KEY	PART NO.	DESCRIPTION
1	60-150	Pad, Back Rest
2	57-002	Nut, 10-32 Acorn
3	33-107	Lock Washer, # 10 Ext. Tooth
4	42-004	Hinge, Rear
5	62-001	Plate, Serial
6	72-011	Ring, Strap Retainer
7	33-223	Screw, 10-32 x 1/2 PHSS
8	36-401	Guard, Switch
9	57-004	Nut, Switch
10	33-099	Rivet, 1/8 x 3/8
11	57-007	Nut, Adapter
12	34-003	Gasket, Intake/Exhaust Flange
13	04-017	Adapter, Exhaust
14	85-026	Terminal, Wire 1/4
15	62-002	Plate, Latch
16	33-100	Screw, 10-32 x 5/8 FHSS
17	21-001	Switch
18	33-128	Flat Washer
19	33-289	Nut, 10-32 Hex
20	21-083	Strain Relief
21	73-303	Screw, 10-32 x 4 PHMS
22	21-092	Clamp, Cord
23	21-085	Terminal, Wire Ring
24	57-003	Nut, 18 Ga. Wire
25	23-010	Cord Assy., 40 ft., 18-3
26	14-002	Bags, Paper — Pkg/6
27	14-001	Bag, Cloth
28	42-001	Housing, Rear
29	32-002	Filter, Vac Motor
30	53-001	Motor, Vac - 115V. 60 HZ.
31	53-005	Motor, Vac - 230V 50/60 HZ.
32	34-001	Gasket, Motor Mount
33	21-027	Cord Cap, 3-Wire 120V
34	54-001	Mount, Vac Motor
35	34-004	Gasket, Tank
36	04-016	Adapter, Intake
37	83-003	Shelf, Bag Support
38	42-003	Hinge, Front
39	40-038	Vac Hose Assembly
40	55-171	Hose Cuff, 1 1/2
41	42-002	Housing, Front
42	57-001	Nut, Intake Elbow
43	34-002	Gasket, Intake Elbow
44	30-101	Elbow, Intake
45	48-001	Label, CADDY-VAC
46	38-001	Handle
47	51-001	Latch
48	33-151	Screw, 6-32 x 3/8 RHSS
49	20-201	Clamp, Bag Support
50	83-001	Strap Assembly, Shoulder
51	83-004	Strap Assembly, Waist
52	96-065	Lead Assembly, Ground Wire
53	72-015	Retainer, Dolly
54	48-006	Label
55	33-164	Washer, # 6 Ext. Tooth
56	33-035	Nut, 6-32 Hex
57	30-044	Caster
58	32-003	Frame, Dolly
59	02-021	Crevice Tool
60	02-022	Upholstery Tool
61	02-018	Dust Brush, 3" Round
62	02-019	Reducer Adapter, Tool
63	02-020	Blower Nozzle
64	02-017	Extension Tube, 18"

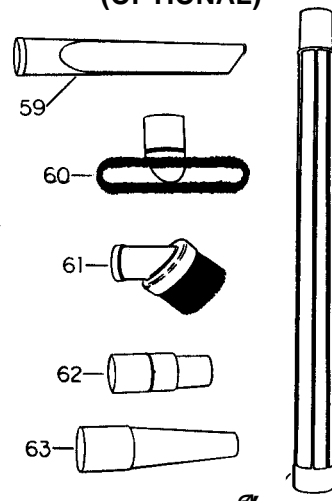




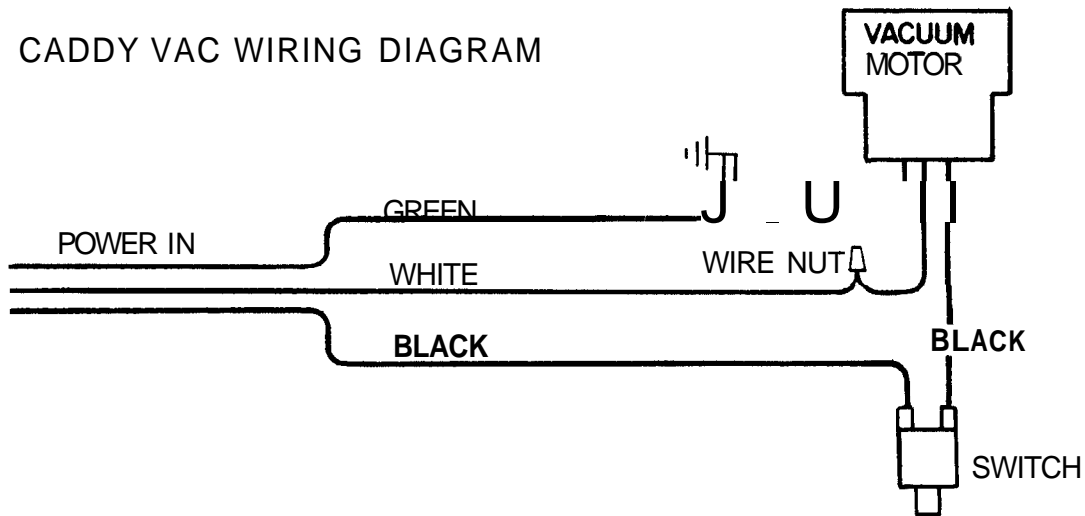
**CADDY-VAC
DOLLY ASSEMBLY
No. CVI-DLY
(OPTIONAL)**



**CVI-TK TOOL KIT
(OPTIONAL)**



CADDY VAC WIRING DIAGRAM



LIMITED WARRANTY

WINDSOR warrants to the original purchaser/user that this product is free from defects in workmanship and materials under normal use and service for a period of one year from date of purchase. WINDSOR will, at its option, repair or replace without charge, except for transportation costs, parts that fail under normal use and service when operated and maintained in accordance with the applicable operation and instruction manuals. This warranty does not apply to normal wear, or to items whose life is dependent on their use and care, such as cords, switches, hoses, rubber parts, electric motor parts, etc.

This limited warranty is in lieu of all other warranties, expressed or implied, and releases WINDSOR from all other obligations and liabilities. It is applicable only in the U.S.A. and Canada, and is extended only to the original user/purchaser of this product. WINDSOR is not responsible for costs for repairs performed by persons other than those specifically authorized by WINDSOR. This warranty does not apply to damage from transportation, alterations by unauthorized persons, misuse or abuse of the equipment, use of noncompatible chemicals, or damage to property, or loss of income due to malfunctioning of the product.

If a difficulty develops with this machine, you should contact the dealer from whom it was purchased.

TROUBLESHOOTING CHART

PROBLEM	POSSIBLE CAUSE	SOLUTION
No power to machine.	Dead electrical circuit.	Check building circuit, breaker or fuse box.
	Faulty electrical cable.	Replace.
	Power switch failure.	Replace.
Electrical shock.	Equipment not grounded.	On 3 pronged adapter, be sure ground wire is secured.
Motor speed varies or doesn't run.	Motor brushes worn.	Replace.
	Motor worn out.	Replace.
Loss of Vacuum.	Lint or dirt clogging vacuum hose or tool.	With power off, clean out obstruction.
	Loose cuffs on vacuum hose.	Tighten cuffs turning counterclockwise.
	Faulty vac housing seal.	Replace
	Vacuum motor seals leaking.	Replace
	Broken vac hose.	Replace.
	Worn out vac motor.	Replace.